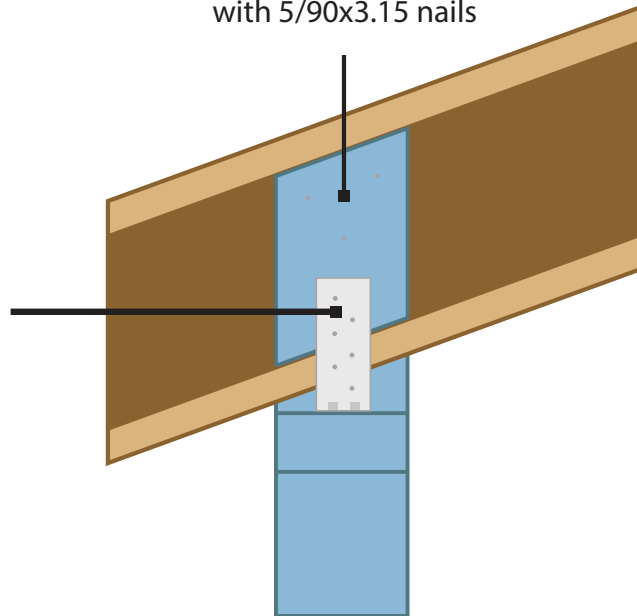


Fix CPC as per manufacturers instructions (correct size of CPC to be sized for wind zone of project).
Nails into LIB flange face to be pre-drilled.

Packer/Web Stiffener
fixed both sides of LIB
with 5/90x3.15 nails



Note: Packers/Web stiffeners are cut from a longer length to the length required, as shown above.